

Model: JSMA-PBC01ABKB

No.	Item	Symbol	Unit	Specification	No.	Item	Symbol	Unit	Specification
1	Drive	-	-	3 $\phi$ 220 VAC	13	Rotor Inertia	J-M	kg-cm <sup>2</sup>	0.089 $\pm$ 10%
2	Cooling Method	-	-	Totally Enclosed	14	Rated Power Rate	Q-R	Kw/s	11.51
3	Exciting Method	-	-	Permanent Magnet	15	Resistance	Ra	$\Omega$	24 $\pm$ 10%/2 $\phi$
4	Resolution	-	-	2500 C/T	16	Inductance	L	mH	22 $\pm$ 10%
5	Rated Output	P-R	W	100	17	Mech. Time Constant	Tm	ms	2.21 $\pm$ 10%
6	Rated Torque	T-R	N-m	0.32	18	Elect. Time Constant	Te	ms	0.92 $\pm$ 10%
7	Max. Torque	T-max	N-m	0.95	19	Insulation Class	-	-	Class F
8	Rated Speed	N-R	rpm	3000	20	Operation Temp.	T	$^{\circ}$ C	0~40
9	Rated Current	I-R	A	0.9	21	Operation Humd.	RH	%	<80
10	Max. Current	I-max	A	2.7	22	Storage Temp.	T	$^{\circ}$ C	-20'~60'
11	Torque Constant	Kt	N-m/A	0.35 $\pm$ 10%	23	Storage Humd.	RH	%	<80
12	Back emf(at 1000rpm)	Vemf	Volts	25 $\pm$ 10%	24	Weight	W	kgw	0.7

1	U	Red
2	V	White
3	W	Black
4	F/G	G/Y

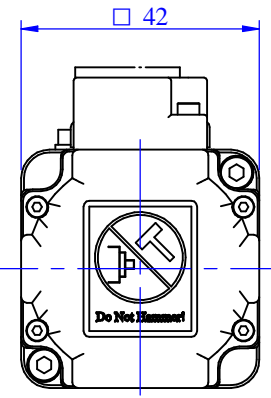
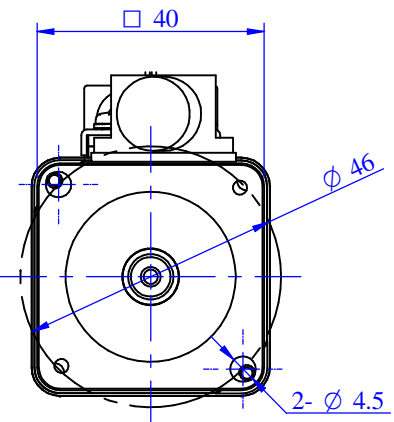
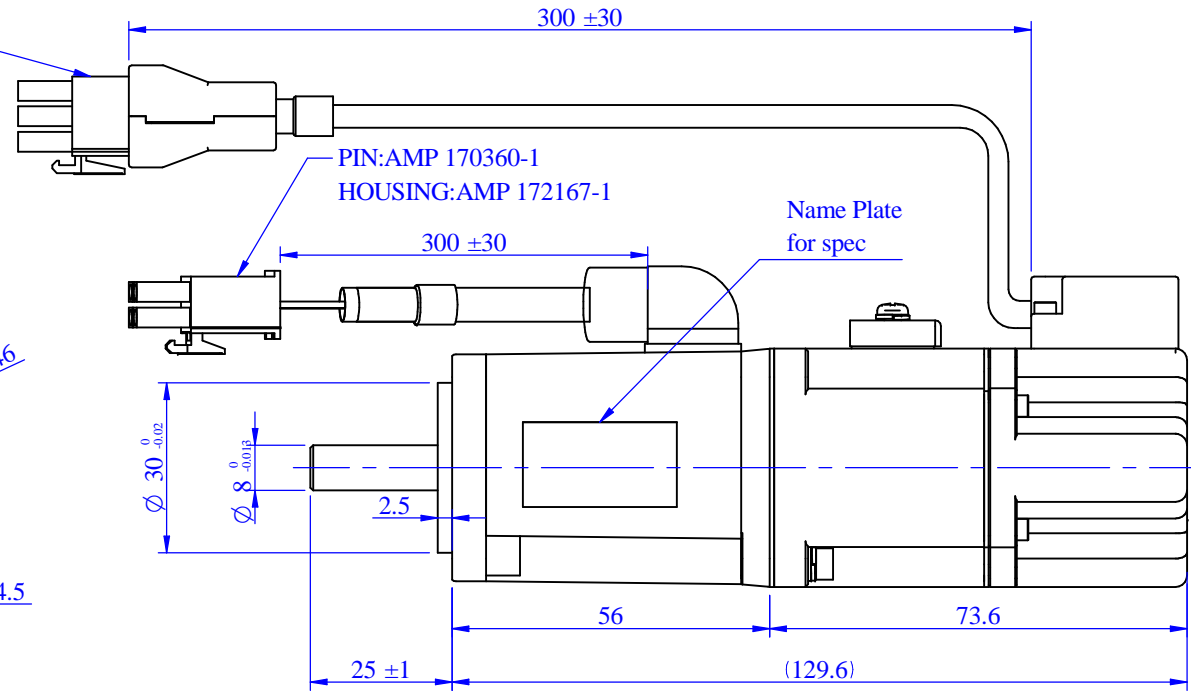
Motor Connection

1	+5V	Red
2	0V	Black
3	A/U	Blue
4	A/U	Blue/Black
5	B/V	Green
6	B/V	Green/Black
7	Z/W	Yellow
8	Z/W	Yellow/Black
9	FG	Shield

Encoder Connection

**AC SERVO MOTOR**  
 Model: JSMA-PBC01ABKB  
 Pr: 0.1 KW ; Nr: 3000 rpm  
 Ir: 0.9 A , Tr: 0.32 N-m  
 NO.  
**TECO ELECTRIC & MACHINERY CO., LTD.**  
 MADE IN TAIWAN

PIN: AMP 770835-1  
 HOUSING: AMP 172169-1



STANDARD TOLERANCE					APVD		SCALE	UNIT	m m	NAME	SERVO MOTOR OUTLINE DRAWING	
X	$\pm$ 0.5				CHKD		3RD .A.P			TITLE	JSMA-PBC01ABKB	
.X	$\pm$ 0.2				CHKD							
.XX	$\pm$ 0.05				DWN	Leon	04-06-'16			Dept. Design	DWG.NO.	D01E04101C3BT3D01
ANGLE	$\pm$ 30'											
MATERIAL		REV	DESCRIPTION	SIGNATURE	DATE	SIGNATURE	DATE					